

NP50A / NR50A Series

8A - 50A (1/4" - 2")

Standard Model 1/2"-2"

A best seller among compact machines!

- Small but powerful 700 W series motor.
- Easy to use, high productivity, excellent portability - only 48 kg.
- Pipe size can be adjusted simply by turning the lever nut.
- Thread length can be adjusted by just changing the lever contact (except Manual Die Head)
- NR50A and NR50AV supports #300 die heads and dies.



NP50AV
218231



NR50AV
218211



Manual Die Head NV-auto Die Head Uni-auto Die Head



Manual Die Head NV-auto Die Head



5075 Roller Blade for PLP (option)

Standard Accessories:

- Carbon Brushes 1 pair, Cutting Oil (50W-R) 2 L
- Hex key-wrench 3-4-5-6 mm, Dies 1/2"-3/4", 1"-2" 1 set each
- Die Head 1/2"-2"

	Code No.	Model	Voltage	Rotation	Dies type	Die Head	Remarks
NP50A	218620	NP50A	220 V	R only	BSPT	Manual 1/2" - 2"	
	218621	NP50A	110 V	R only	BSPT	Manual 1/2" - 2"	no legs
	218231	NP50AV	220 V	R only	BSPT	NV-auto 1/2" - 2"	
NP50AV	218235	NP50AV	220 V	R only	NPT	NV-auto 1/2" - 2"	
	218232	NP50AV CE	230 V	R/L	BSPT	NV-auto 1/2" - 2"	with Foot Switch
	218233	NP50AV	110 V	R only	BSPT	NV-auto 1/2" - 2"	no legs
	218234	NP50AV	220 V	R only	BSPT	Uni-auto 1/2" - 2"	PLP
	218237	NP50AV CE	110 V	R/L	BSPT	NV-auto 1/2" - 2"	with Foot Switch
	218238	NP50AV	220 V	R only	BSPT	Uni-auto 1/2" - 2"	
	218240	NP50AV	220 V	R only	BSPT	NV-auto 1/2" - 2"	G-plug
NR50A*	218211	NR50AV	220 V	R only	BSPT	NV-auto R 1/2" - 2"	
	218214	NR50AV	220 V	R only	NPT	NV-auto R 1/2" - 2"	
	218216	NR50AV	220 V	R only	BSPT	NV-auto R 1/2" - 2"	G-plug
	218212	NR50AV CE	230 V	R/L	BSPT	NV-auto R 1/2" - 2"	with Foot Switch
	218215	NR50AV	120 V	R only	NPT	NV-auto R 1/2" - 2"	
NR50A*	218213	NR50AV CE	110 V	R/L	BSPT	NV-auto R 1/2" - 2"	with Foot Switch
	218650	NR50A CE	110 V	R/L	BSPT	Manual R 1/2" - 2"	with Foot Switch



NP50AV CE
218232

*Caution: The NR50A and NR50AV do not support die heads and dies of other REX models.

Threading Capacity (in.)	Motor Voltage (50/60 Hz) AC (V)	Motor Single-Phase (Series)	Rotation Speed (Unloaded) (rpm)	Weight** (kg)	Dimensions L x W x H (mm)
1/4 - 2	110-120 or 220-230	Input 1600 W Output 1000 W	39	48	700 x 440 x 408

** without DH

NP80A Series

8A - 80A (1/4" - 3")
Standard Model 1/2"-3"

A machine that gives you the best finish you've ever seen!

Based on a totally new concept, the NP80A is designed to be user-friendly, easily maintained and completely reliable. A machine you can really trust. Easy to use, high productivity, excellent portability. A machine that gives you total control and satisfaction on the job.



NV-auto Die Head
(for 1/2"-2" pipe)
NP80AV/AVIII

Makes a smooth, beautifully finished tapered thread with ease.



NP80A
274670



NP80A CE
274672

Standard Accessories:

- Carbon Brushes 1 pair, Cutting Oil (50W-R) 4 L
- Hex key-wrench 3-4-5-6 mm, Dies 1/2"-3/4", 1"-2", 2 1/2"-3" 1 set each
- Die Head 1/2"-2", 2 1/2"-3" one each



Manual Die Head
(for 1/2"-2" pipe)
NP80A



Manual Die Head
(for 2 1/2"-3" pipe)
NP80A/AV



Uni-auto Die Head
(for 1/2"-2" pipe)
NP80AV/AVIII



Self-opening Die Head
(for 2 1/2"-3" pipe)
NP80AVIII



The die head is fitted with a micro fine-adjustment dial to simplify fine-adjustment of the thread for each size of pipe. (Self-opening Die Head)

	Code No.	Model	Voltage	Rotation	Dies type	Die Head	Remarks
NP80A	274670	NP80A	220 V	R only	BSPT	Manual 1/2" - 2" + Manual 2 1/2" - 3"	
	274672	NP80A CE	110 V	R/L	BSPT	Manual 1/2" - 2" + Manual 2 1/2" - 3"	with Foot Switch
	274673	NP80A	110 V	R only	BSPT	Manual 1/2" - 2" + Manual 2 1/2" - 3"	no legs
NP80AV	274750	NP80AV	220 V	R only	BSPT	NV-auto 1/2" - 2" + Manual 2 1/2" - 3"	G-plug
	274751	NP80AV CE	230 V	R/L	BSPT	NV-auto 1/2" - 2" + Manual 2 1/2" - 3"	with Foot Switch
	274752	NP80AV	220 V	R only	BSPT	Uni-auto 1/2" - 2" + Manual 2 1/2" - 3"	
	274753	NP80AV	220 V	R only	NPT	NV-auto 1/2" - 2" + Manual 2 1/2" - 3"	
	274754	NP80AV	220 V	R only	BSPT	NV-auto 1/2" - 2" + Manual 2 1/2" - 3"	
NP80AV III	274701	NP80AVIII CE	230 V	R/L	BSPT	NV-auto 1/2" - 2" + Self-opening 2 1/2" - 3"	with Foot Switch
	274702	NP80AVIII	220 V	R only	BSPT	Uni-auto 1/2" - 2" + Self-opening 2 1/2" - 3"	

Threading Capacity (in.)	Voltage (50/60 Hz) AC (V)	Motor Single-Phase (Series)	Rotation Speed (Unloaded) (rpm)	Weight* (kg)	Dimensions L x W x H (mm)
1/4 - 3	110-120 or 220-230	Input 1600 W Output 1000 W	29	67	690 x 490 x 423

* without DH

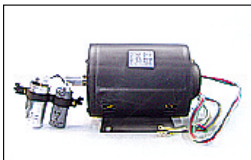
N100A

8A - 100A (1/4" - 4")

Standard Model 1/2"-4"

Efficient 3-speed transmission speeds up your work.

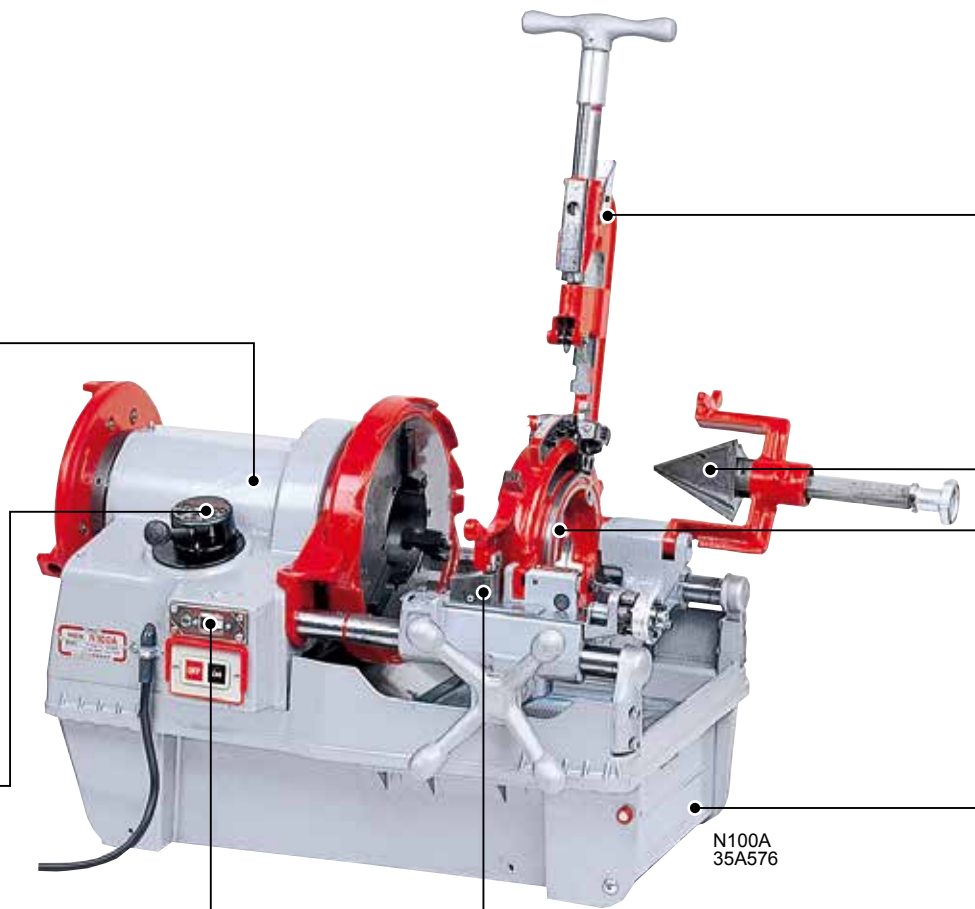
- Less than 100 sec to make a perfect 4" pipe taper thread. Less than 20 sec for a 1" pipe taper thread.
- Uni-auto Die Head for 1/2" - 2" pipe. Dies are compatible with NP50A/NP80A Manual Die Heads and Uni-auto Die Heads.
- Profiling Die Head for 2 1/2" - 4" pipe. REX original profiling system enables precise, straight tapers, with 20 mm dies performing at higher speed and requiring less power consumption.
- Quick adjustable cutter.
- Quiet, maintenance-free condenser motor.
- Built-in tool box is convenient for on-site work.
- Large-capacity scrap catcher.
- Threading size, thread length, and microfine adjustment of thread diameter can all be adjusted easily.
- Compact and lightweight for its class (123 kg), it can be set up by just two people.
- NV-auto and Manual Die Heads can be mounted as options.



The condenser motor is quiet yet very powerful. As it does not use carbon brushes, it is basically maintenance free.



A choice of 3 speeds enables you to select the best speed for the size of pipe.



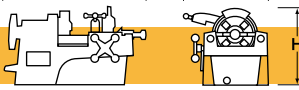
N100A
35A576

Model with voltage shift switch available. (35A576/35A602)



J109
Profiling board
for NPSM: option

With REX' original profiling system, you can make accurate tapers and easily adjust thread length.



The cutter has a built-in function for quick adjustment to the pipe diameter.



Round cone based reamer (2 blades)



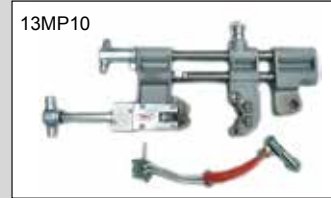
With 20 mm-wide profiling dies, the load is reduced, which makes it easy on the motor.



Built-in tool box

BLADE-TYPE CUTTER (Option)

Blade-type cutter for plastic lined pipe, and hard and thick pipe



13MP10



Blade 13E846



Blade-type cutter on N100A



Uni-auto Die Head (for 1/2"-2" pipe)



Profiling Die Head (for 2 1/2"-4" pipe)



N100A CE 35A513

Standard Accessories:

- Cutting Oil (246-R or 50W-R) 4 L
- Hex key-wrench 3-4-5-6-8 mm, Dies 1/2"-3/4", 1"-2", 2 1/2"-4" 1 set each
- Die Head 1/2"-2", 2 1/2"-4" one each

Code No.	Voltage	Dies type	Remarks
35A570	220 V 50 Hz	BSPT	
35A576	110/220 V 60 Hz	BSPT	
35A578	110 V 60 Hz	BSPT	no legs
35A580	220 V 50/60 Hz	NPT	
35A591	220 V 60 Hz	BSPT	G-plug
35A599	120 V 60 Hz	NPT	
35A513	230 V 50 Hz	BSPT	CE+Foot Switch
35A602	110/220 V 50 Hz	BSPT	CE+Foot Switch
35A5H0	230 V 50 Hz	NPT	CE+Foot Switch

• Die Head: Uni-auto 1/2" -2" + Profiling 2 1/2" -4"

Threading Capacity (in.)	Voltage (50 or 60 Hz) AC (V)	Motor Single-Phase (Condenser)	Rotation Speed (Unloaded) (rpm)	Weight* (kg)	Dimensions L x W x H (mm)
1/4 - 4	110/220 - 230 or 120	Output 750 W or 1000 W	43 (1/2" - 3/4")	123	873 x 635 x 558
			24 (1" - 2")		
			13 (2 1/2" - 4")		

* without DH

NEW

F25A Series

8A - 25A (1/4" - 1")

Standard Model 1/2"-1"

A threading machine you can carry with just one hand!

The mighty lightweight, built in safety features, too

Features

- Compact, lightweight, fast threading
- Double insulation motor employs a break to enhance safety.
- Optional self-opening die head for 1/4-3/4" available

Operability

- Powerful Motor completes a 1" thread in only 16 seconds.
- Special ball bearings used for the main shaft bearing.
- Larger stroke for carriage move
- Carriage handle designed for easy operation
- Excellent durability provides improved machine service life and precision.

Safety

- Motor has a built-in brake designed to prevent entangling.
- Switch mechanism protects die head from colliding with the hand wheel when threading short pipes.
- Double insulation motor
- Motor equipped with auto-stop carbon brushes
- Low centre of gravity designed for safety



Self-opening Die Head for F/NS25A



Manual-opening Die Head for F/NS25A



F25AIII 205161

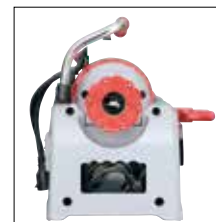
Standard Accessories:

- Carbon Brushes 1 pair, Cutting Oil (50W-R 1L x 2 or 100SW-R 0.5L x 4)
- Hex Key-wrench 3-5 mm, Dies 1/2"-3/4", 1" 1 set each
- Die Head 1/2"-1"

	Code No.	Die Head	Voltage	Dies type
F25A	205151	Manual 1/4" - 1"	220 V	BSPT
	205153	Manual C19 - 39	220 V	C (conduit)
F25AIII	205160	Self-opening 1/2" - 1"	110 V	BSPT / HSS
	205161	Self-opening 1/2" - 1"	220 V	BSPT



Anti-crash switch: Switch protects die head from touching hand wheel



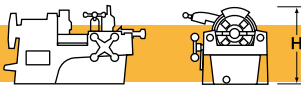
Cord storage pocket functions as hand grip, too



Easy to carry

Threading Capacity (in.)	Voltage (50/60 Hz) AC (V)	Motor Single-Phase (Series)	Rotation Speed (Unloaded) (rpm)	Weight* (kg)	Dimensions L x W x H (mm)
1/4 - 1	110-120 or 220	Output 400 W	55	19.8	440 x 329 x 356

* without DH



S40A

8A - 40A (1/4" - 1 1/2")

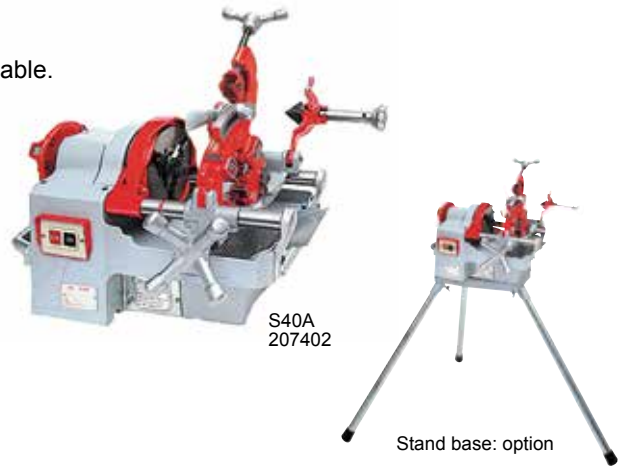
Standard Model 1/2"-1 1/2"

The lighter touch!

- Small but powerful 500 W series motor.
- Easy to use, high productivity, excellent portability.
- Both Manual Opening (S40A) and Uni-auto (S40AV) Die Heads available.
- Pipe size can be adjusted simply by turning the lever nut.
- Thread length can be adjusted just by changing the lever contact. (Uni-auto Die Head)
- Die-cast body allows high precision and stable threading.
- A machine backed by a history of perfection.

Standard Accessories:

- Carbon Brushes 1 pair, Cutting Oil (50W-R) 2L · Die Head 1/2"-1 1/2"
- Hex Key-wrench 3-5mm, Dies 1/2"-3/4", 1"-1 1/2" 1 set each



	Code No.	Die Head	Voltage	Dies type
S40A	207402	Manual 1/2" - 1 1/2"	110 V	BSPT / SUS
S40AV	207540	Uni-auto 1/2" - 1 1/2"	110 V	BSPT / SUS

Threading Capacity (in.)	Voltage (50/60 Hz) AC (V)	Motor Single-Phase (Series)	Rotation Speed (Unloaded) (rpm)	Weight* (kg)	Dimensions L x W x H (mm)
1/4 - 1 1/2	110	Output 500 W	56	32	540 x 345 x 355

* without DH

150A

65A - 150A (2 1/2" - 6")

Large-diameter pipe threading machine.

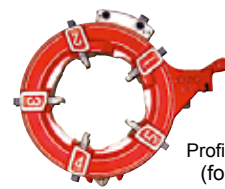
- Uses condenser motor for quiet operation.
- Efficient 2-speed transmission speeds up work.
- Powerful hammer chuck holds large-diameter pipes securely.
- Uses notch profiling die head, suitable for threading large-diameter pipes.
- The notch profiling die head has low cutting resistance for optimum threading of large-diameter pipes.
- Threading size, thread length and microfine adjustment of thread diameter can all be adjusted easily.

A129 Profiling board for NPSM: Option



Standard Accessories:

- Cutting Oil (246-R or 50W-R) 4 L
- Hex key-wrench 3-4-5-6-8 mm, Dies 2 1/2"-4", 5"-6" 1 set each
- Die head 2 1/2"-4", 5"-6" one each
- 4 legs



Code No.	Voltage	Dies type	Remarks
366500	220 V 50Hz	BSPT	
366602	220 V 60Hz	BSPT	G-plug
366616	220 V 60Hz	NPT	
366617	120 V 60Hz	NPT	

· Die head: Profiling 2 1/2" - 4" + Profiling 5" - 6"

Threading Capacity (in.)	Voltage (50 or 60 Hz) AC (V)	Motor Single-Phase (Condenser)	Rotation Speed (Unloaded) (rpm)	Weight* (kg)	Dimensions L x W x H (mm)
2 1/2 - 6	120 or 220	Output 750 W	2 1/2" - 3" : 18 (50Hz) , 22 (60Hz)	170	930 x 688 x 590
			3 1/2" - 6" : 6 (50Hz) , 7 (60Hz)		

* without DH