

# POWERSPORTS WINCH



## Cub Series

2,000 - 3,000 - 4,000 lb pulling capacity

- 1 High efficient, low amp. draw and sealed permanent magnet motor
- 2 Mechanical load holding and dynamic brake for 100% braking
- 3 Full metal 3-stage planetary gear train for greater pulling force
- 4 Sliding pin and ring gear clutch device for rapid rope payout
- 5 Submersible sealed contactor handles high amps and allows higher duty cycle

COMEUP manufactures a complete line of powersports winches. COMEUP winches are always the best choice for a rider who needs help out of the mud, snow, ice or whatever obstacle stands in the way. Cub series winches are designed for endurance and reliability with features like a precision 3-stage planetary gear, center drum design, weather-sealed contactor, mechanical load holding, and easy-to-use handlebar rocker switch. If you are looking for a powerful Powersports winch to add versatility and dependability to your vehicle, we are confident we have what you want.

Standard Compliance:

CE Machinery Directive 2006/42/CE

CE Electromagnetic Compatibility Directive 2004/108/EC



▶ Limited Lifetime Warranty for Mechanical Components.  
▶ Limited One (1) Year Warranty for Electrical Components.

## Cub 4s carry on

### 4,000 LB Powersports Portable Winch



Note : Hawse fairlead does not mount to winch

Cub 4s carry on **PN 123930** (12V)  
(with wire rope, roller fairlead, remote control, 2" hitch receiver)

#### SPECIFICATIONS :

Rated line pull : 1,814 kg (4,000 lb) single line

Motor : 800 w / 1.0 hp 12V permanent magnet

Gear train & ratio : 3-stage planetary 191:1

Clutch (freespooling) : Sliding pin and ring gear

Brake : Mechanical spring applied and permanent magnet motor dynamic brakes together

Winch construction : Aluminum die cast housings and drum

Drum size : 55 x 119 mm (2.2" x 4.7")

Control : Remote control w/3 m cord

Rope : Synthetic rope, 5.5 mm x 15.2 m (7/32" x 50')

Recommended battery : 550 CCA minimum for winching

Battery lead : 1.8 m (6') 6 gauge battery lead

Mounting bolts pattern : 76 x 168 mm (3" x 6.6")

Winch weight (including rope) : 12.2 kg / 26.9 lb

Gross weight : 19.1 kg / 42.1 lb

Box dimension : 410 x 200 x 345 mm (16.1" x 7.9" x 13.6")

#### PERFORMANCE DATA :

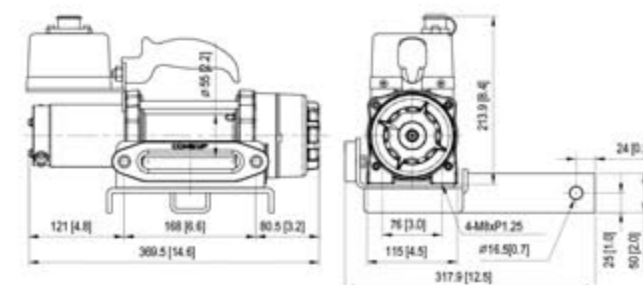
##### Line Pull and Rope Capacity

| Layer of Rope   | Pull by Layer, kg / lb | Total Rope on the Drum, m / ft |
|-----------------|------------------------|--------------------------------|
| 1 <sup>st</sup> | 1,814 / 4,000          | 4.0 / 13.2                     |
| 2 <sup>nd</sup> | 1,535 / 3,385          | 8.8 / 28.8                     |
| 3 <sup>rd</sup> | 1,331 / 2,933          | 14.2 / 46.7                    |
| 4 <sup>th</sup> | 1,174 / 2,588          | 15.2 / 50                      |

##### Line Speed and Amp. Draw ( 1<sup>st</sup> layer of rope on the drum )

| Line Pull kg / lb | Line Speed, mpm / fpm | Amp. Draw, A 12V |
|-------------------|-----------------------|------------------|
| No Load           | 6.0 / 19.7            | 15               |
| 454 / 1,000       | 3.4 / 11.2            | 70               |
| 907 / 2,000       | 2.9 / 9.5             | 120              |
| 1,361 / 3,000     | 2.4 / 7.9             | 180              |
| 1,814 / 4,000     | 2.0 / 6.6             | 230              |

#### DIMENSION mm/in :



#### Standard Accessories

- 1 Synthetic rope 5.5 mm x 15.2m, **PN 881993**
- 2 Clevis hook, **PN 881997**
- 3 Control box w/handle, **PN 882239**
- 4 Remote control w/3m cord, **PN 881305**
- 5 Hawse fairlead, **PN 881072**
- 6 2" hitch receiver, **PN 882241**
- 7 Base plate, **PN 880269**
- 8 Quick Connector wiring kit, **PN 882252**
- 9 Mounting hardware, **PN 882369**



**Cub 4/4s**

**4,000 LB Powersports Winch**



Note : Roller/Hawse fairlead does not mount to winch

Cub 4 **PN 123920** (12V)  
(with wire rope, roller fairlead)

Cub 4s **PN 129410** (12V)  
(with synthetic rope, hawse fairlead)

**SPECIFICATIONS :**

- Rated line pull : 1,814 kg (4,000 lb) single line
- Motor : 800 w / 1.0 hp 12V permanent magnet
- Gear train & ratio : 3-stage planetary 191:1
- Clutch (freespooling) : Sliding pin and ring gear
- Brake : Mechanical spring applied and permanent magnet motor dynamic brakes together
- Winch construction : Aluminum die cast housings and drum
- Drum size : 55 x 119 mm (2.2" x 4.7")
- Control : Handlebar rocker switch
- Rope :
- Cub 4 : Galvanized aircraft A7 x 19, 5.5 mm x 15.2 m (7/32" x 50')
- Cub 4s : Synthetic rope, 5.5 mm x 15.2 m (7/32" x 50')
- Recommended battery : 550 CCA minimum for winching
- Battery lead : 1.8 m (6') 6 gauge battery lead
- Mounting bolts pattern : 76 x 168 mm (3" x 6.6")
- Winch weight (including rope) :
- Cub 4 : 8.9 kg / 19.6 lb
- Cub 4s : 8 kg / 17.6 lb
- Gross weight :
- Cub 4 : 13.1 kg / 28.9 lb
- Cub 4s : 12 kg / 26.4 lb
- Box dimension : 380 x 362 x 144 mm (15" x 14.3" x 5.7')

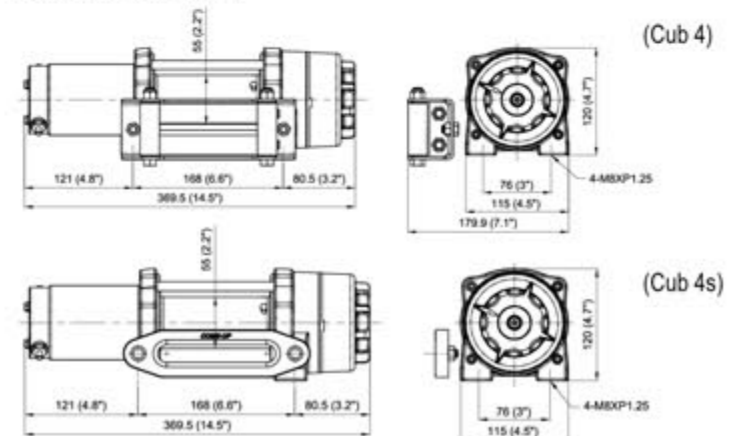
**PERFORMANCE DATA :**  
**Line Pull and Rope Capacity**

| Layer of Rope   | Pull by Layer, kg / lb | Total Rope on the Drum, m / ft |
|-----------------|------------------------|--------------------------------|
| 1 <sup>st</sup> | 1,814 / 4,000          | 4.0 / 13.2                     |
| 2 <sup>nd</sup> | 1,535 / 3,385          | 8.8 / 28.8                     |
| 3 <sup>rd</sup> | 1,331 / 2,933          | 14.2 / 46.7                    |
| 4 <sup>th</sup> | 1,174 / 2,588          | 15.2 / 50                      |

**Line Speed and Amp. Draw ( 1<sup>st</sup> layer of rope on the drum )**

| Line Pull kg / lb | Line Speed, mpm / fpm | Amp. Draw, A 12V |
|-------------------|-----------------------|------------------|
| No Load           | 6.0 / 19.7            | 15               |
| 227 / 500         | 3.9 / 12.8            | 45               |
| 454 / 1,000       | 3.4 / 11.2            | 70               |
| 680 / 1,500       | 3.1 / 10.2            | 90               |
| 907 / 2,000       | 2.9 / 9.5             | 120              |
| 1,134 / 2,500     | 2.7 / 8.9             | 150              |
| 1,361 / 3,000     | 2.4 / 7.9             | 180              |
| 1,588 / 3,500     | 2.2 / 7.2             | 210              |
| 1,814 / 4,000     | 2.0 / 6.6             | 230              |

**DIMENSION mm/in :**



**Cub 3/3s**

**3,000 LB Powersports Winch**



Note : Roller/Hawse fairlead does not mount to winch

Cub 3 **PN 123561** (12V)  
(with wire rope, roller fairlead)

Cub 3s **PN 129300** (12V)  
(with synthetic rope, hawse fairlead)

**SPECIFICATIONS :**

- Rated line pull : 1,361 kg (3,000 lb) single line
- Motor : 800 w / 1.0 hp 12V permanent magnet
- Gear train & ratio : 3-stage planetary 138.5:1
- Clutch (freespooling) : Sliding pin and ring gear
- Brake : Mechanical spring applied and permanent magnet motor dynamic brakes together
- Winch construction : Aluminum die cast housings and drum
- Drum size : 55 x 75 mm (2.2" x 3")
- Control : Handlebar rocker switch
- Rope :
- Cub 3 : Galvanized aircraft A7 x 19, 4.8 mm x 15.2 m (3/16" x 50')
- Cub 3s : Synthetic rope, 4.8 mm x 15.2 m (3/16" x 50')
- Recommended battery : 550 CCA minimum for winching
- Battery lead : 1.8 m (6') 6 gauge battery lead
- Mounting bolts pattern : 76 x 124 mm (3" x 4.9")
- Winch weight (including rope) :
- Cub 3 : 8.2 kg / 18 lb
- Cub 3s : 7.2 kg / 15.9 lb
- Gross weight :
- Cub 3 : 12.5 kg / 27.6 lb
- Cub 3s : 11.5 kg / 25.3 lb
- Box dimension : 349 x 331 x 144 mm (13.7" x 13" x 5.7')

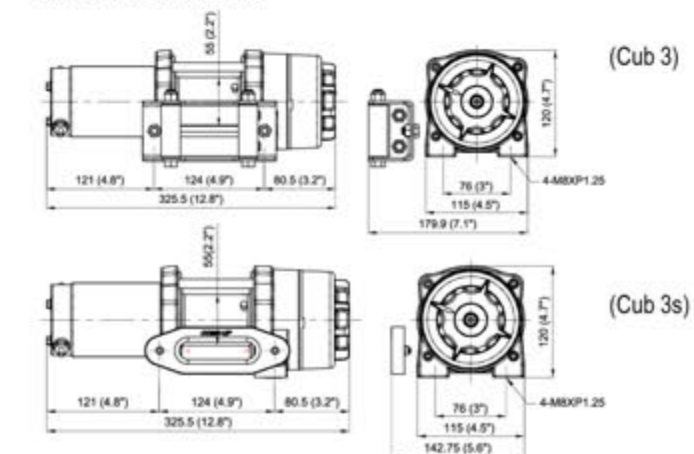
**PERFORMANCE DATA :**  
**Line Pull and Rope Capacity**

| Layer of Rope   | Pull by Layer, kg / lb | Total Rope on the Drum, m / ft |
|-----------------|------------------------|--------------------------------|
| 1 <sup>st</sup> | 1,361 / 3,000          | 2.8 / 9.3                      |
| 2 <sup>nd</sup> | 1,173 / 2,585          | 6.1 / 20.1                     |
| 3 <sup>rd</sup> | 1,030 / 2,271          | 9.9 / 32.5                     |
| 4 <sup>th</sup> | 918 / 2,025            | 14.1 / 46.3                    |
| 5 <sup>th</sup> | 829 / 1,827            | 15.2 / 50                      |

**Line Speed and Amp. Draw ( 1<sup>st</sup> layer of rope on the drum )**

| Line Pull kg / lb | Line Speed, mpm / fpm | Amp. Draw, A 12V |
|-------------------|-----------------------|------------------|
| No Load           | 6.8 / 22.2            | 25               |
| 227 / 500         | 5.7 / 18.7            | 45               |
| 454 / 1,000       | 4.8 / 15.6            | 75               |
| 680 / 1,500       | 3.8 / 12.5            | 105              |
| 907 / 2,000       | 3.0 / 9.8             | 140              |
| 1,134 / 2,500     | 2.5 / 8.0             | 180              |
| 1,361 / 3,000     | 2.0 / 6.7             | 230              |

**DIMENSION mm/in :**





**Cub 2/2s**

**2,000 LB Powersports Winch**



Note: Roller/Hawse fairlead does not mount to winch

Cub 2 **PN 122012** (12V)  
(with wire rope, roller fairlead)

Cub 2s **PN 122112** (12V)  
(with synthetic rope, hawse fairlead)

**SPECIFICATIONS :**

- Rated line pull : 907 kg (2,000 lb) single line
- Motor : 600 w / 0.8 hp 12V permanent magnet
- Gear train & ratio : 3-stage planetary 103:1
- Clutch (freespooling) : Cam activated
- Brake : Mechanical spring applied and permanent magnet motor dynamic brakes together
- Winch construction : Aluminum die cast drum and steel plate housings
- Drum size : 38 x 75 mm (1.5" x 3.0")
- Control : Handlebar rocker switch
- Rope :
- Cub 2 : Galvanized aircraft A7 x 19, 4 mm x 15.2 m (5/32" x 50')
- Cub 2s : Synthetic rope, 4 mm x 15.2 m (5/32" x 50')
- Recommended battery : 550 CCA minimum for winching
- Battery lead : 1.8 m (6') 6 gauge battery lead
- Mounting bolts pattern : 76 x 124 mm (3" x 4.9")
- Winch weight (including rope) :
- Cub 2 : 6.5 kg / 14.3 lb
- Cub 2s : 6 kg / 13.2 lb
- Gross weight :
- Cub 2 : 10 kg / 22 lb
- Cub 2s : 9 kg / 19.8 lb
- Box dimension : 296 x 223 x 140 mm (11.7" x 8.8" x 5.5')

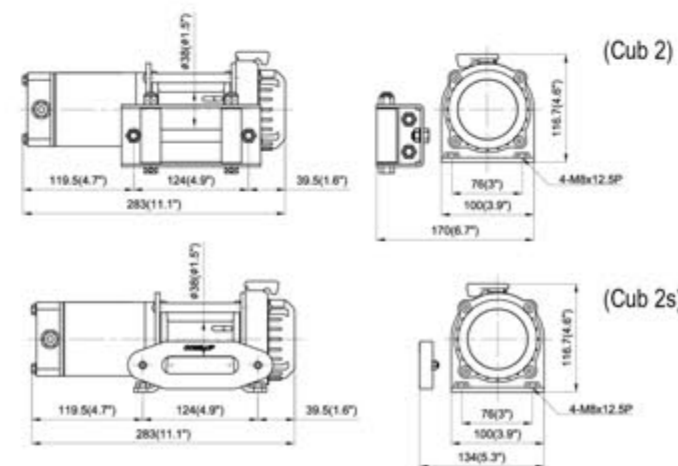
**PERFORMANCE DATA :**  
**Line Pull and Rope Capacity**

| Layer of Rope   | Pull by Layer, kg / lb | Total Rope on the Drum, m / ft |
|-----------------|------------------------|--------------------------------|
| 1 <sup>st</sup> | 907 / 2,000            | 2.4 / 7.9                      |
| 2 <sup>nd</sup> | 762 / 1,680            | 5.3 / 17.4                     |
| 3 <sup>rd</sup> | 657 / 1,448            | 8.6 / 28.2                     |
| 4 <sup>th</sup> | 577 / 1,272            | 12.4 / 40.7                    |
| 5 <sup>th</sup> | 515 / 1,135            | 15.2 / 50                      |

**Line Speed and Amp. Draw ( 1<sup>st</sup> layer of rope on the drum )**

| Line Pull kg / lb | Line Speed, mpm / fpm | Amp. Draw, A 12V |
|-------------------|-----------------------|------------------|
| No Load           | 6.1 / 20.0            | 20               |
| 302 / 666         | 4.6 / 15.1            | 50               |
| 605 / 1,334       | 3.1 / 10.2            | 100              |
| 907 / 2,000       | 2.0 / 6.6             | 150              |

**DIMENSION mm/in :**



**Winch Accessories**

**Wireless Remote Control**

**PN 881286** 2.4 Ghz with 27 m (90'), RF-24D for Cub 2/2s/3/3s/4/4s carry on

**Roller Fairlead**

**PN 880231** 65 mm throat for Cub 2/3  
**PN 880132** 109 mm throat for Cub 4

**Hawse Fairlead**

**PN 881071** 82 mm throat for Cub 2s/3s  
**PN 881072** 108 mm throat for Cub 4s/4s carry on

**Remote Control + Remote Socket**

**PN 881305 + PN 881004** for Cub 2/2s/3/3s/4/4s  
**PN 881305** for Cub 4s carry on

**Contactor w/lead**

**PN 881385** 250A, 12V for Cub 2/2s/3/3s/4/4s carry on

**Handlebar Switch Kit**

**PN 881003** Rocker switch with cord for Cub 2/2s/3/3s/4/4s

**Quick Connector**

**PN 881075** 50A, for Cub 2/2s/3/3s/4/4s carry on

**Contactor Pack**

**PN 881037** 12V, Detachable contactor pack for Cub 2/2s/3/3s/4/4s

**Snatch Block**

**PN 881080** Max. load 5,000 kg / 11,000 lb for Cub 4/4s/4s carry on  
**PN 881081** Max. load 2,700 kg / 6,000 lb for Cub 2/2s/3/3s

**Powersports Winch Accessories Chart**

| Model Number            | Cub 2 | Cub 2s | Cub 3 | Cub 3s | Cub 4 | Cub 4s | Cub 4s carry on |
|-------------------------|-------|--------|-------|--------|-------|--------|-----------------|
| Rated line pull kg      | 9,07  | 9,07   | 1,361 | 1,361  | 1,814 | 1,814  | 1,814           |
| Rated line pull lb      | 2,000 | 2,000  | 3,000 | 3,000  | 4,000 | 4,000  | 4,000           |
| Handlebar Switch Kit    | ●     | ●      | ●     | ●      | ●     | ●      | -               |
| Contactor Pack          | ●     | ●      | ●     | ●      | ●     | ●      | -               |
| Wire Rope w/Hook        | ●     | -      | ●     | -      | ●     | -      | -               |
| Synthetic Rope w/Hook   | -     | ●      | -     | ●      | -     | ●      | ●               |
| Roller Fairlead         | ●     | -      | ●     | -      | ●     | -      | -               |
| Hawse Fairlead          | -     | ●      | -     | ●      | -     | ●      | ●               |
| Handlebar Hardware      | ●     | ●      | ●     | ●      | ●     | ●      | -               |
| Mounting Hardware       | ●     | ●      | ●     | ●      | ●     | ●      | ●               |
| Base Plate Kit          | ○     | ○      | ○     | ○      | ○     | ○      | ●               |
| Handsaver Strap         | ●     | ●      | ●     | ●      | ●     | ●      | ●               |
| Wireless Remote Control | ○     | ○      | ○     | ○      | ○     | ○      | ○               |
| Remote Control          | ○     | ○      | ○     | ○      | ○     | ○      | ●               |
| Snatch Block            | ○     | ○      | ○     | ○      | ○     | ○      | ○               |

● Means as a standard accessory / ○ Means as an option accessory

**Wire Rope with Hook**

**PN 881954** 4.8 mm x 15.2 m (3/16" x 50') w/ stopper for Cub 3  
**PN 880257** 4 mm x 15.2 m (5/32" x 50') w/ stopper for Cub 2  
**PN 881955** 5.5 mm x 15.2 m (7/32" x 50') w/ stopper for Cub 4

**Synthetic Rope**

**PN 881952** w/hook for Cub 3s  
• 15.2 m (50') of 4.8 mm (3/16") diameter synthetic rope design for powersports winch application with line pull of 1,361 kg (3,000 lb) or less  
**PN 881953** w/hook for Cub 4s  
**PN 881993** w/o hook for Cub 4s carry on  
• 15.2 m (50') of 5.5 mm (7/32") diameter synthetic rope design for powersports winch application with line pull of 1,814 kg (4,000 lb) or less  
**PN 881065** w/hook for Cub 2s  
• 15.2 m (50') of 4 mm (5/32") diameter synthetic rope design for powersports winch application with line pull of 907 kg (2,000 lb) or less

**Transmitter holder for Cub Series**



**Hook**

**PN 881997** 5/16" clevis hook for Cub 4s carry on

