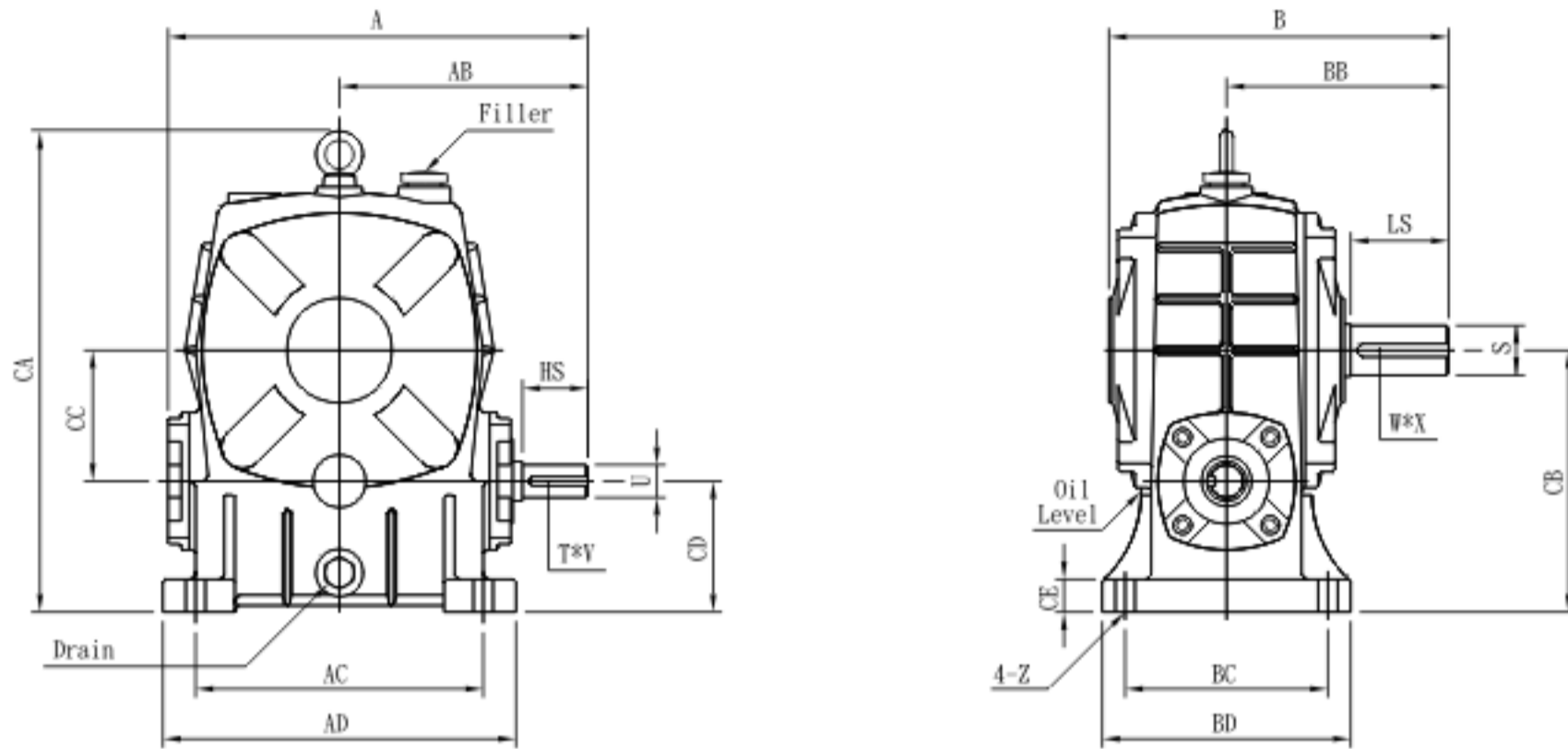


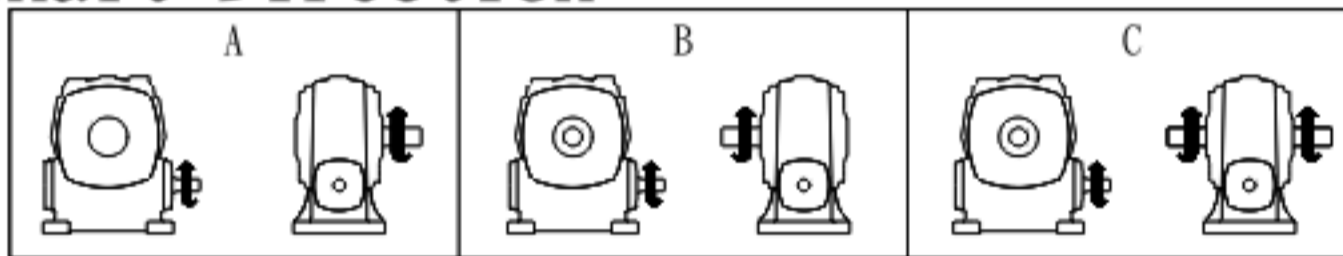


Model : ASS

**CHENTA GEAR** SPEED REDUCER



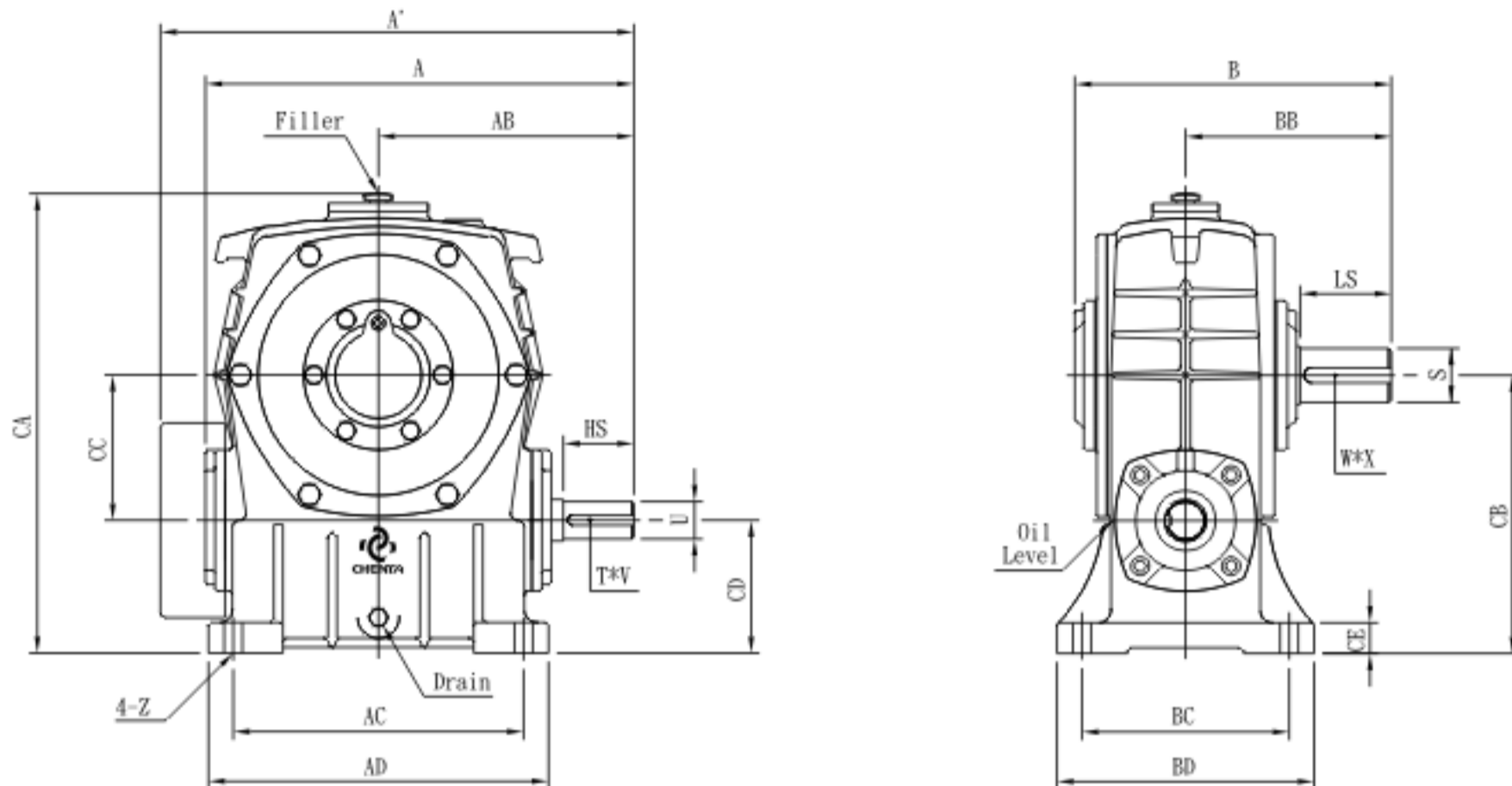
### Shaft Direction



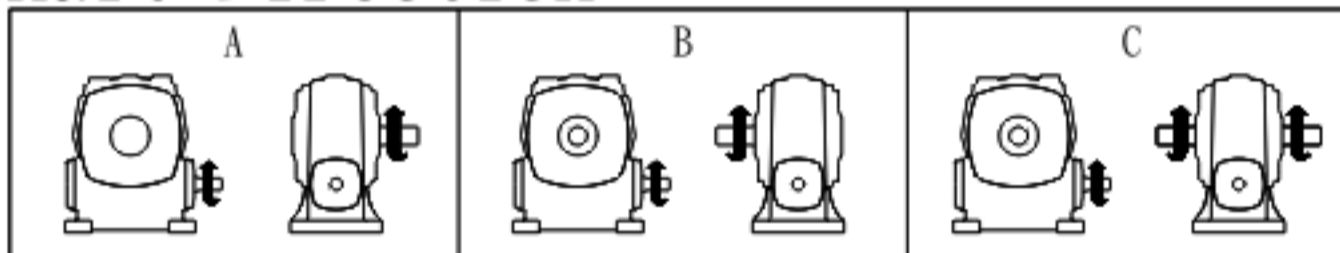
Unit:mm

Size	Ratio	A	AB	AC	AD	B	BB	BC	BD	CA	CB	CC	CD	CE	Z
40	1/10	139	83	70	88	120	78	80	102	135	70	40	30	10	9
50		181	107	110	140	147	95	95	120	180	100	50	50	18	11
60	1/15	204	124	120	150	168	110	105	130	210	120	60	60	20	11
70		235	140	150	190	196	130	115	150	240	140	70	70	22	15
80	1/30	265	160	180	220	216	140	135	170	278	160	80	80	23	15
100	1/40	325	192	220	270	260	170	155	190	376	200	100	100	25	15
120	1/50	389	230	260	320	291	190	180	230	435	240	120	120	30	18
135	1/60	435	260	290	350	320	210	200	250	490	270	135	135	30	18

Size	Input Shaft			Output Shaft			Ojm (l)	Weight (kg)
	HS	U	T * V	LS	S	W * X		
40	25	12	4 * 2.5	35	16	5 * 3	0.2	4.1
50	30	12	4 * 2.5	40	17	5 * 3	0.22	7
60	40	15	5 * 3	50	22	7 * 4	0.32	9.7
70	40	18	5 * 3	60	28	7 * 4	0.55	14.6
80	50	22	7 * 4	65	32	10 * 4.5	0.77	19.7
100	50	25	7 * 4	75	38	10 * 4.5	1.53	38.4
120	65	30	7 * 4	85	45	12 * 4.5	2.4	63.4
135	75	35	10 * 4.5	95	55	15 * 5	3.25	83.2



### Shaft Direction



Unit:mm

Size	Ratio	A'	A	AB	AC	AD	B	BB	BC	BD	CA	CB	CC	CD	CE	Z
155	1/10	---	479	286	320	400	377	242	220	280	526	290	155	135	30	20
175	1/15	---	517	308	350	410	381	248	250	310	536	335	175	160	37	20
	1/20	---	---	357	350	420	479	305	280	350	637	390	200	190	30	22
200	1/30	697	---	361	390	470	530	345	330	410	670	415	225	190	35	27
225	1/40	720	---	420	440	520	565	360	380	440	742	450	250	200	40	27
250	1/50	815	---													
	1/60															

Size	Input Shaft			Output Shaft			Ojm (l)	Weight (kg)
	HS	U	T * V	LS	S	W * X		
155	85	40	10 * 4.5	100	60	15 * 5	4.1	115.3
175	85	45	12 * 4.5	110	65	18 * 6	5.8	158.3
200	95	50	12 * 4.5	125	70	20 * 7	6.5	210
225	95	55	15 * 5	140	80	20 * 7	7	282
250	110	60	15 * 5	145	90	24 * 8	9	337

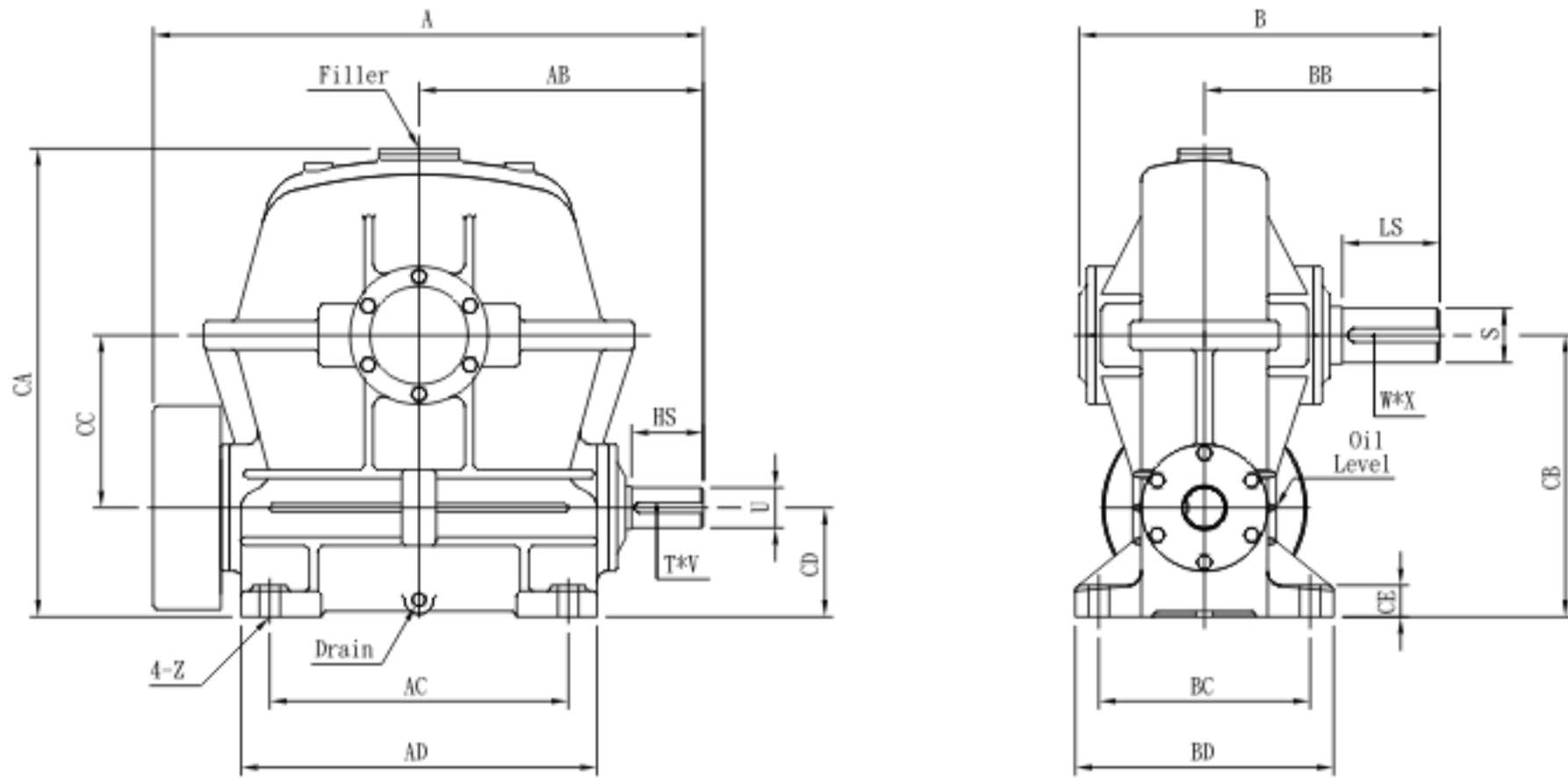
Remark: Cooling fan supplied for size 200 and above.



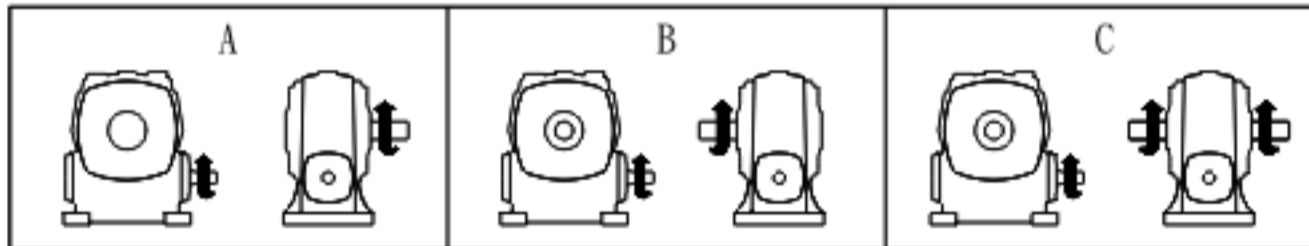


Model : ASS

**CHENTA GEAR** SPEED REDUCER



### Shaft Direction



Unit:mm

Size	Ratio	A	AB	AC	AD	B	BB	BC	BD	CA	CB	CC	CD	CE	Z
300	1/10 1/40	958	495	520	620	628	410	368	450	815	490	300	190	45	36
350	1/15	1068	570	597	700	748+	480	432	520	940	565	350	215	55	43
	1/20 1/50														
400	1/30 1/60	1160	620	660	780	775	500	470	580	1070	650	400	250	55	43

Size	Input Shaft			Output Shaft			Ojm (l)	Weight (kg)
	HS	U	T * V	LS	S	W * X		
300	125	70	18 * 6	170	95	24 * 8	21	496
350	145	80	20 * 7	190	115	32 * 10	30	673
400	150	85	24 * 8	205	130	35 * 11	41	1006